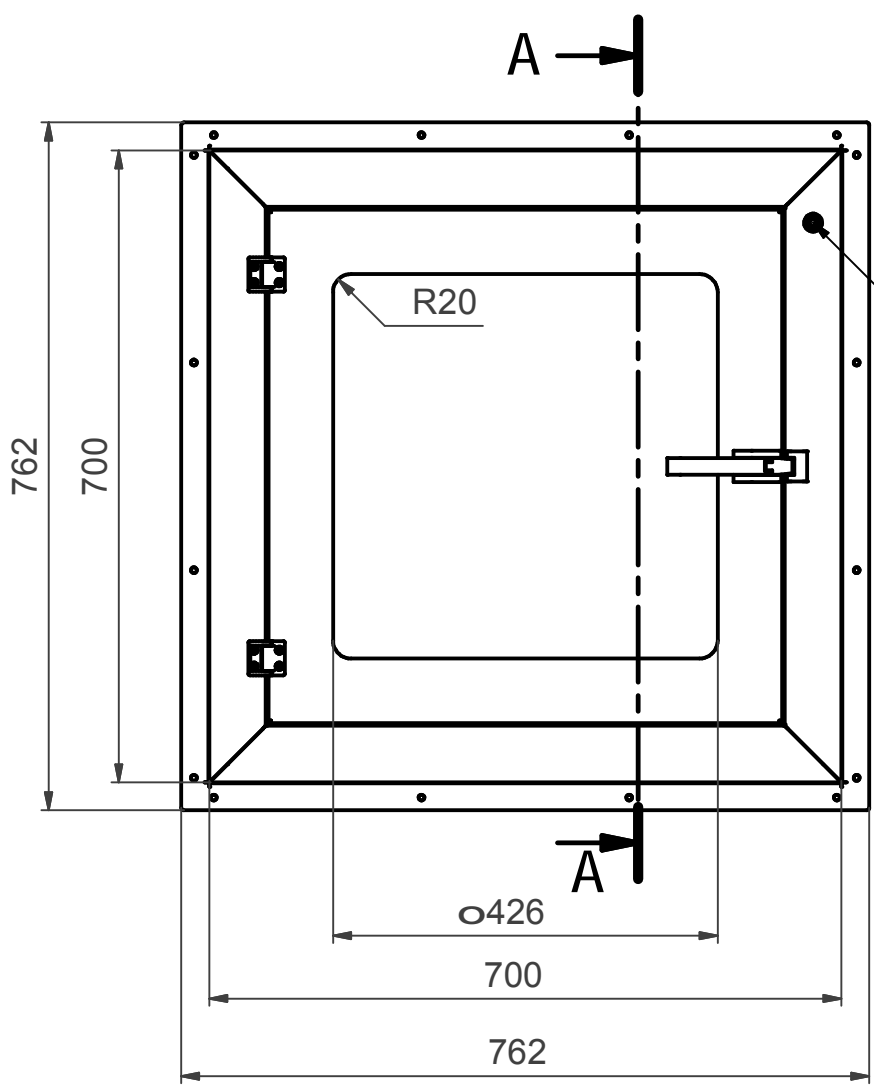
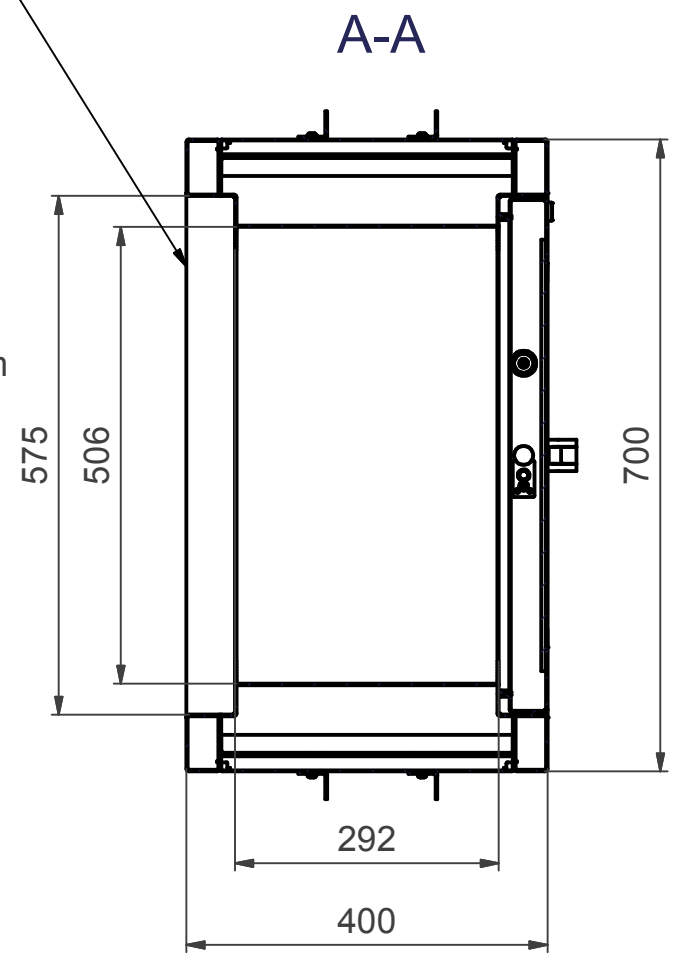


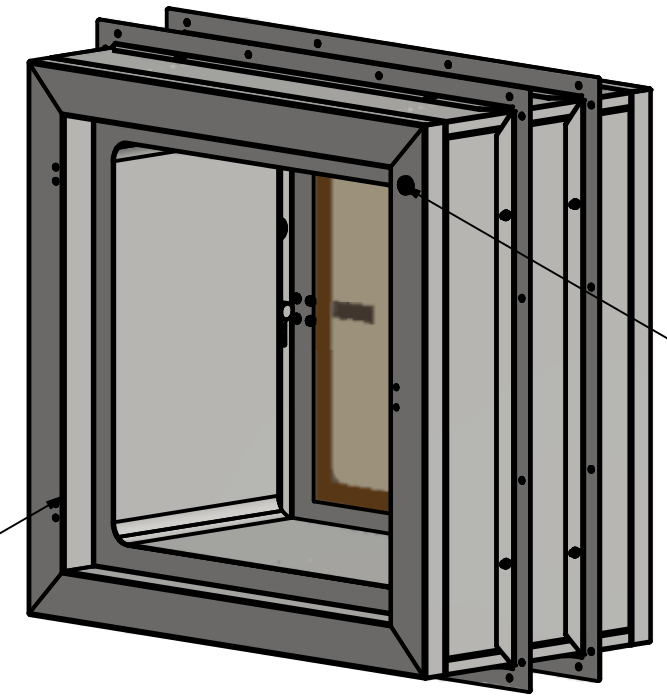
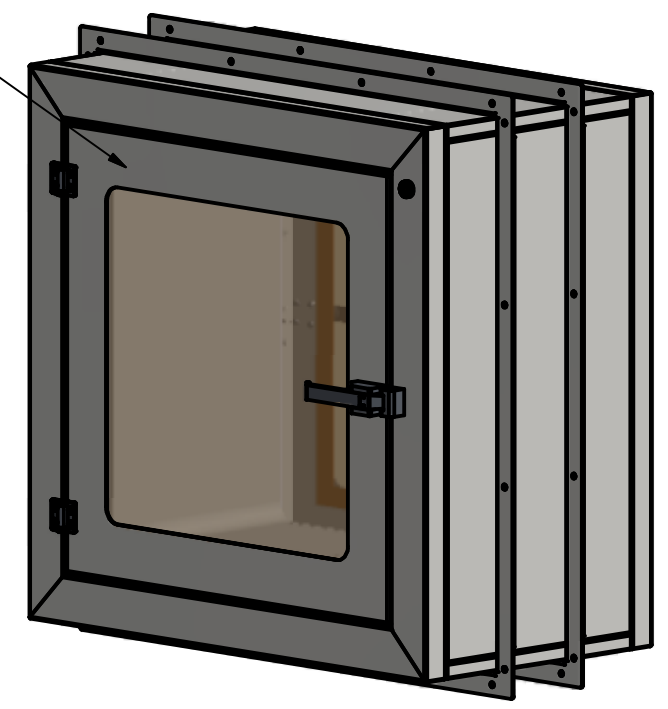
Fabrication materials: Stainless Steel 304L with electro-polished finish



Door Removed  
Door Alarm

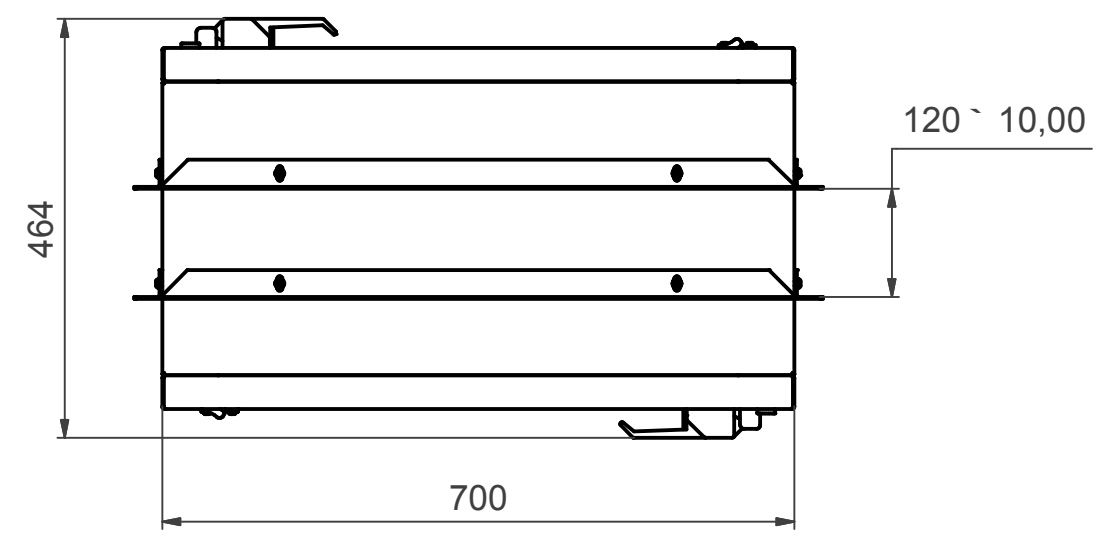


Flush Design



Door Removed

Door Alarm



Also available PT-604060 & PT-804080 (custom sizes also available : [info@palbamclass.com](mailto:info@palbamclass.com))

Estimation total weight <b>50 kg</b>	VARIATION IN DIMENSIONS WITHOUT TOLERANCE IND. DIN 7168		<b>PalbamClass</b> EN HAROD IHUD	EUROPE PROJ 
	BREAK EDGES 0.3x45	STATUS MEDIUM		
ALL RIGHTS STRICTLY RESERVED USE. REPRODUCTION OR ISSUE TO THIRD PARTY IN ANY FORM WHATEVER IS NOT PERMITTED UNLESS AUTHORIZED IN WRITING BY THE PROPRIETOR. PalbamClass IL-18960 EN-HAROD IHUD-ISRAEL.	INNER RADIUS 0.3x45	SURF. ROUGH. PER ISO 1302	Pass Through Cabinet Electrical Interlock	
	DATE 01/09/2016	NAME Alexey	REV A	
	DESIGN	APPROVAL	SCALE A3	
	DWG. No. PCSP7240-000		SHEET 1 / 1	

CONTROLLED COPIES OF THIS DOCUMENT HAVE A RED ISSUE DATE STAMP, THESE COPIES WILL BE UPDATED BY PALBAM CLASS INFORMATION SYSTEM. ANY OTHER COPY IS NOT CONTROLLED AND THEREFORE NOT UPDATED. PLEASE CHECK WITH INFORMATION SYSTEM FOR VALIDITY OF DOCUMENT.