



- **Modern, aesthetic, ergonomic design**
- **Infinite layout options**
- **Suitable for all clean industries**
- **Fits all gown room sizes and procedures**
- **Modular, easy to install**

GOWNING

Unique Stainless Steel Solutions



Palbam Class is a world-renowned Cleanroom Gowning Design and Furniture supplier. The extensive range of gownroom products designed and manufactured by Palbam Class is second to none. Palbam Class has a solution to every gownroom requirement, adding a touch of beauty to your cleanroom.

Palbam Class has fitted Gownrooms ranging from small interlocks up to high-density gownrooms serving 2000+ personnel.

Turnkey projects are our speciality.

The Gownroom is often the first impression for employees and visitors alike, that they are entering into a special area. Palbam Class products are guaranteed to ensure that your company will give the best possible impression, as well as serving all the ergonomic, cleanliness and functional requirements.

GOWNRACKS FOR FULL LENGTH COVERALLS



Ideal furniture, adding a touch of beauty to your gownroom. The modular design allows for various layout options.

Advantages of Palbam Class Gown Rack Design:

- Knock Down and completely modular - can be connected end to end or side to side or to walls.
- Unique rack design holds each hanger at exactly the same angle and spacing ensuring a uniform appearance, creating an image of orderliness and allowing sufficient laminar flow.
- Mirrors can be connected to side panels, enhancing both aesthetics and functionality.
- Highest quality workmanship insures aesthetic and functional properties are excellent.

• Each Gownrack is supplied with hangers, labeling numbers and leveler legs with integral covers.

• Hangers - thickness of material ensures non-deforming.
Fabrication material: 304 stainless steel, electropolished.

• **Mirrors are optional**
Immediate delivery - in stock

3 options available
standard gownrack for full length coveralls.
shorter gownrack for frocks and lab coats.
wall mount gownracks which can be used for both purposes.

Product	LxWxH (mm)	LxWxH (")	Cat. No.
Hanger unit 08 + Hangers	585x567x2100	23x22x83	GR08CMP
Hanger unit 16 + Hangers	947x567x2100	37x22x83	GR16CMP
Hanger unit 24 + Hangers	1328x567x2100	52x22x83	GR24CMP
Hanger unit 32 + Hangers	1709x567x2100	67x22x83	GR32CMP
Hanger unit 40 + Hangers	2090x567x2100	82x22x83	GR40CMP

GOWNRACKS FOR FROCKS AND LAB COATS



Product	LxWxH (mm)	LxWxH (")	Cat. No.
Hanger unit short 08 + Hangers	585x567x1750	23x22x69	GR08CMP-S
Hanger unit short 16 + Hangers	947x567x1750	37x22x69	GR16CMP-S
Hanger unit short 24 + Hangers	1328x567x1750	52x22x69	GR24CMP-S
Hanger unit short 32 + Hangers	1709x567x1750	67x22x69	GR32CMP-S
Hanger unit short 40 + Hangers	2090x567x1750	82x22x69	GR40CMP-S

WALL MOUNT GOWNRACKS



Product	LxWxH (mm)	LxWxH (")	Cat. No.
Wall Mount Garment Rack 8	585x468x470	23x19x19	GRW08CMP
Wall Mount Garment Rack 16	947x468x470	37x19x19	GRW16CMP
Wall Mount Garment Rack 24	1328x468x470	52x19x19	GRW24CMP
Wall Mount Garment Rack 32	1709x468x470	67x19x19	GRW32CMP
Wall Mount Garment Rack 40	2090x468x470	82x19x19	GRW40CMP

HANGERS AND MIRRORS



Hangers - thickness of material ensures non-deforming.
 Fabrication material: 304 stainless steel, electropolished.

All gownracks include the correct amount of hangers - so there is no need to purchase separately. However they can be purchased separately if required.

Product	LxWxH (mm)	LxWxH (")	Cat. No.
Hanger	430x6x185		OHL-EP
Mirror for Gownrack Panel 2100mm height			MR-02
Mirror for Gownrack Panel 1750mm height			MR-02-1750

BOOTIE RACKS



Modular bootie cabinet comes in a variety of shelf lengths. Conforms to Garment Rack Design thereby ensuring uniformity of appearance throughout the gownroom. The cabinet can be shipped knock-down and is easy to assemble. Standard features include leveler legs with integral covers and number labeling. This product is symmetric so can be used from either side.

Mirrors are optional.

Fabrication material: 304 stainless steel, electropolished.

Product	LxWxH (mm)	LxWxH (")	Cat. No.
24 boot cabinet	383x400x2100	15x16x83	BC24CMP
32 boot cabinet	483x400x2100	19x16x83	BC32CMP
40 boot cabinet	583x400x2100	23x16x83	BC40CMP
48 boot cabinet	683x400x2100	27x16x83	BC48CMP
56 boot cabinet	783x400x2100	31x16x83	BC56CMP
Mirror for Bootie Rack Panel 2100mm height			MR-03

MODULAR BENCHES



Modular Bench Type A

The Palbam Class™ Modular Bench for seating and “gowning up” in the gown

area is modular and allows a flexible design to exactly fit every gown area. A variety of units in various dimensions can be attached in different ways to provide a custom made seating module. The seating module reduces the number of legs attached to the floor, making the cleaning process easy and the layout flexible.



Modular Bench Type B

Fabrication material: stainless steel 304 with electropolished finish

Product	LxWxH (mm)	LxWxH (")	Cat. No.
Modular Bench Type A	2510x360x1000	99x14x40	MOD BENCH-A
Modular Bench Type B	3800x360x470	150x14x19	MOD BENCH-B

GOWNING BENCHES



Features

- Rounded edges
- Electro-polished
- Height adjustable legs
- Leg covers (covers unsightly bolt connections to floor)

Benefits

- Ergonomic
- No snag points
- Ultraclean
- Quality Appearance

Fabrication material: stainless steel 304 with electropolished finish



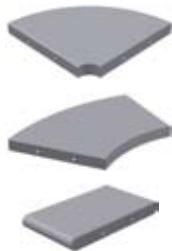
Product	LxWxH (mm)	LxWxH (")	Cat. No.
Basic Cleanroom Bench	600x350x450	24x14x18	GB-0630
Basic Cleanroom Bench	800x350x450	32x14x18	GB-0830
Basic Cleanroom Bench	1000x350x450	40x14x18	GB-1030
Basic Cleanroom Bench	1200x350x450	48x14x18	GB-1230
Basic Cleanroom Bench	1400x350x450	55x14x18	GB-1430

Product	LxWxH (mm)	LxWxH (")	Cat. No.
Rod Type Class 1 Gown Bench	800x370x450	32x15x18	GB-0811
Rod Type Class 1 Gown Bench	1000x370x450	40x15x18	GB-1011
Rod Type Class 1 Gown Bench	1200x370x450	48x15x18	GB-1211
Rod Type Class 1 Gown Bench	1400x370x450	55x15x18	GB-1411

SWING OVER BENCH



The Swing Over bench is designed to assist in the Gowning Process. The raised platform assists in putting on Booties/Shoe Covers. The bench can also be used as a separation barrier between pre gowning and gowning areas. The optional connection pieces allow the benches to be joined together. Immediate delivery - in stock
Fabrication material: 304 stainless steel, electropolished.



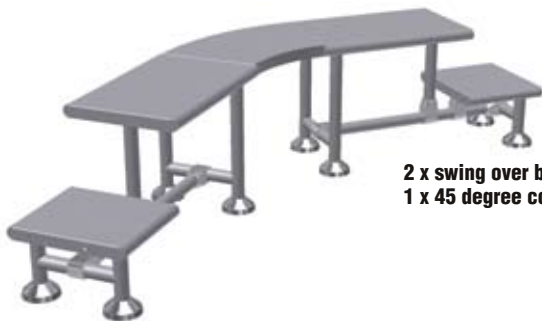
Corner connections

**Having difficulty putting on your shoe covers?
The Swing Over Bench Eliminates back bending!**

Product	LxWxH (mm)	LxWxH (")	Cat. No.
Swing Over Bench	850X350X450	34x14x18	SGB-0850
Bench Corner Connector 45°			45CORNER
Bench Corner Connector 90°			90CORNER
Bench Straight Connector 180°			180CORNER



**2 x swing over bench with
1 x 90 degree connector**



**2 x swing over bench with
1 x 45 degree connector**



**2 x swing over bench with
1 x 180 degree connector**

WASTE RECEPTACLES



WR-3000 - 40 liter capacity



WR-3001 - 60 liter capacity



WR-3002 - 40 liter capacity



WR-3003 - 40 liter capacity



GW0501 - 130 liter capacity

Our round waste receptacle includes an internal nylon holder and lid. The lid has a large opening for easy disposal. No need to come in contact with the bin. (No flaps or other devices are attached, as these just increase contact between user and the waste bin).
 The free-stand model is mounted on Casters which are hidden from view. Can also be mounted on a bench or to the wall or floor.
 Immediate delivery - in stock
 Fabrication material: 304 stainless steel, electropolished.

Product	LxWxH (mm)	LxWxH (")	Cat. No.
Waste Receptacle - Bench Mount	355x355x450	14x14x18	WR-3000
Waste Receptacle - Free Stand	355x355x650	14x14x26	WR-3001
Waste Receptacle - Floor Mount	355x355x700	14x14x28	WR-3002
Waste Receptacle - Wall mount	355x355x450	14x14x18	WR-3003
Large Waste Receptacle - Free Stand	500x500x700	20x20x28	GW0501

WIPEDOWN TABLES



The Wipe Down table supports the wipe-down procedure in a perfect way and includes a waste-through opening on the table-top. The attached cabinet can be reverse mounted allowing for layout flexibility.
Fabrication material: 304 stainless steel, electropolished.

Product	LxWxH (mm)	LxWxH (")	Cat. No.
Wipe Down Table	1200x600x900	48x24x36	WDT-1260
Wipe Down Table	900x600x900	36x24x36	WDT-0960



Product	LxWxH (mm)	LxWxH (")	Cat. No.
Wipe Down Table - Front opening	500x600x900	20x24x36	WDT-0560

FEEDER CABINETS



This modern design storage cabinet supports gowning operation from the gown room itself. Front access doors are used for reloading and for storage purposes. The bottom cabinet can be used for storage or disposal. Perspex dispenser slots ensure that disposables or garments can be extracted one at a time and do not spill out.

Modular - available as:
4 compartments, 8 compartments and 12 compartments. Modifications are possible according to layout.
Fabrication material stainless steel 304 with electropolished finish.

Shipped flat packed with assembly instructions.

Product	LxWxH (mm)	LxWxH (")	Cat. No.
Feeder - front load - front dispense 4	500x400x2000	20x16x79	FFCS-0540-SST
Feeder - front load - front dispense 8	1000x400x2000	40x16x79	FFCS-1040-SST
Feeder - front load - front dispense 12	1500x400x2000	60x16x79	FFCS-1540-SST

RECYCLE CABINETS



The recycle cabinet is used for disposing hairnets, shoe-covers, and other disposables when exiting the gown room. This unit helps keep the disposal process in-order.

A mirror is also available above the unit. Each compartment contains a waste bin. Fabrication material stainless steel 304 with electropolished finish.

Shipped flat packed with assembly instructions.

Product	LxWxH (mm)	LxWxH (")	Cat. No.
Recycle Cabinet - 1 door 1 hole	500x600x900	20x24x36	RECYC-0050-SST
Recycle Cabinet - 2 door 2 holes	1000x600x900	40x24x36	RECYC-0100-SST
Recycle Cabinet - 3 door 3 holes	1500x600x900	60x24x36	RECYC-0150-SST
Recycle Cabinet - 4 door 4 holes	2000x600x900	80x24x36	RECYC-2000-SST

MIRRORS



Mirrors are an integral part of the gowning process. The mirrors are safe with adhesive backing to prevent shattering and are mounted on a stainless steel plate.

A stainless steel frame enables easy mounting and guards the mirror from gownroom traffic.

There are 3 options :

MR-01: Free Standing, connected to the wall and floor. All weight is on the floor. Wall mount just provides anchor to prevent tipping.

MR-02: Mounted in side panel of Gown Racks

MR-03: Mounted in side panel of Bootie Racks

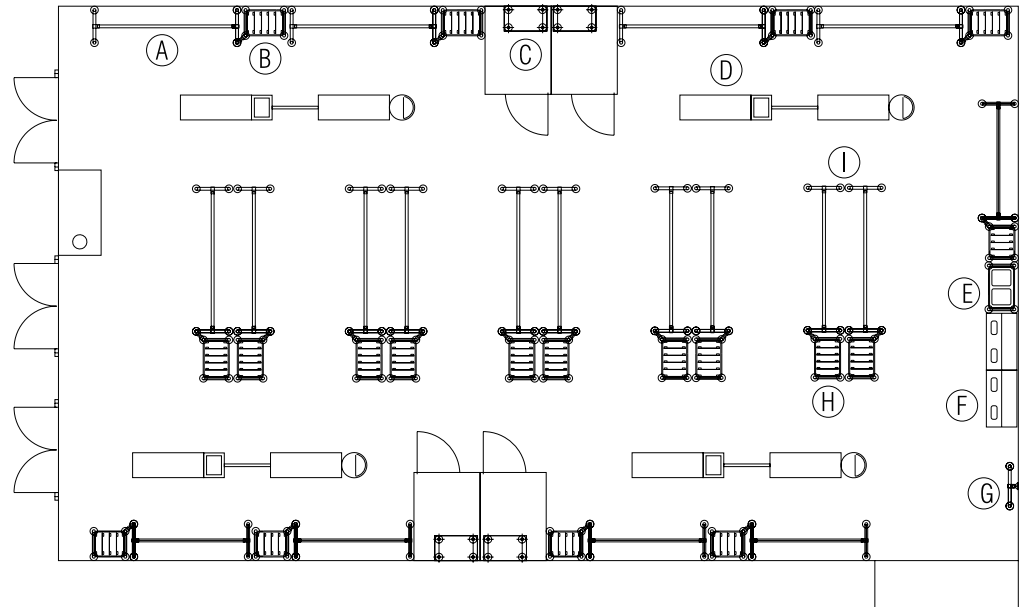
Product	LxWxH (mm)	LxWxH (")	Cat. No.
Full Length Mirror in Frame	600x40x2100	24x2x83	MR-01
Mirror for Gownrack Panel 2100mm height			MR-02
Mirror for Gownrack Panel 1750mm height			MR-02-1750
Mirror for Bootie Rack Panel 2100mm height			MR-03

CLEANROOM LAYOUT

Palbam Class is a world leader in gown room furniture system design, manufacture and layouts. As such Palbam Class has a specially trained engineering team, with years of cleanroom experience. For large or small projects we recommend using our engineering team as they have intimate knowledge of all Palbam Class products and cleanroom layouts.

GOWN ROOM LAYOUT

- A. Garment rack
- B. Bootie Cabinet
- C. Basic Bench
- D. Modular Bench
- E. Miscellaneous Cabinet
- F. Final Glove Cabinet and Glove Dispenser
- G. Mirror
- H. Mirror for Bootie Cabinet
- I. Mirror for Garment Rack



SIGNS



Type A



Type B

Materiale Vario
General Items

Type C

Riciclo
Recycle

Type D

The sign system is designed for cleanroom environments. The materials used are stainless steel and aluminium. The signs are designed to withstand constant wipe-down and can resist even acetone. The signs have adhesives backs for easy mounting. A variety of colours are available.

Make your cleanroom clear and understandable.

Product	LxWxH (mm)	LxWxH (")	Cat. No.
Sign Type A	150x300	6.0x12.0	SIGN-A
Sign Type B	150x180	6.0x7.2	SIGN-B
Sign Type C	190x50	7.5x2.0	SIGN-C
Sign Type D	90x50	3.6x2.0	SIGN-D

