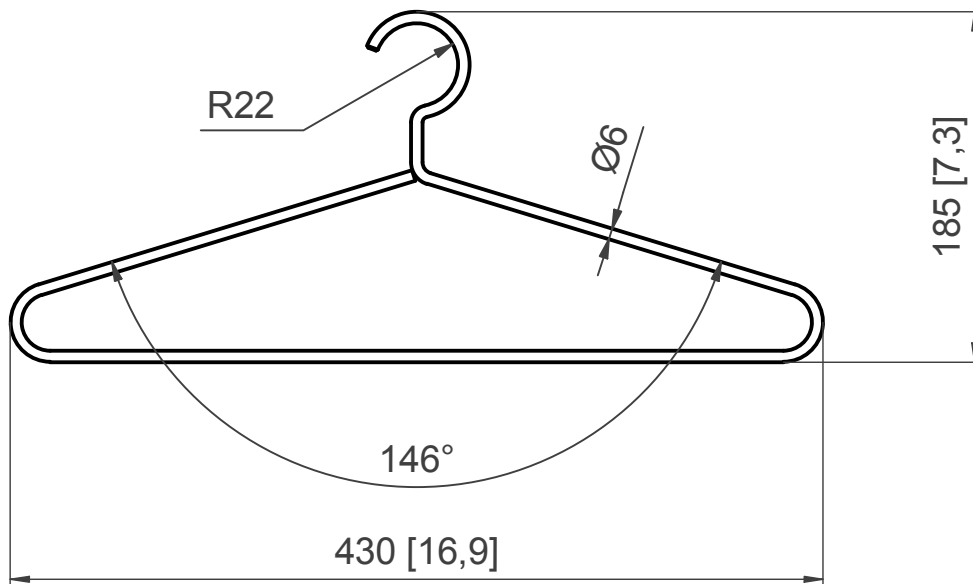


Fabrication materials: : Stainless Steel 304



Estimation total weight 230gr	VARIATION IN DIMENSIONS WITHOUT TOLERANCE IND. DIN 7168		<i>PalbamClass</i> EN HAROD IHUD	EUROPE PROJ	
	BREAK EDGES 0.3x45	STATUS MEDIUM			
ALL RIGHTS STRICTLY RESERVED USE, REPRODUCTION OR ISSUE TO THIRD PARTY IN ANY FORM WHATEVER IS NOT PERMITTED UNLESS AUTHORIZED IN WRITING BY THE PROPRIETOR PalbamClass_IL-18960 EN-HAROD IHUD-ISRAEL.	INNER RADIUS	SURF. ROUGH. PER ISO 1302	SST HANGER		
	DATE	NAME	OHL-EP		
	DESIG	09/01/2013	Alexey	DWG. No.	PCGG0401-001
	APPR				
				REV G	
				SCALE 1:4	
				SIZE A4	
				SHEET 1 / 1	

CONTROLLED COPIES OF THIS DOCUMENT HAVE A RED ISSUE DATE STAMP, THESE COPIES WILL BE UPDATED BY PALBAM CLASS INFORMATION SYSTEM. ANY OTHER COPY IS NOT CONTROLLED AND THEREFORE NOT UPDATED. PLEASE CHECK WITH INFORMATION SYSTEM FOR VALIDITY OF DOCUMENT.