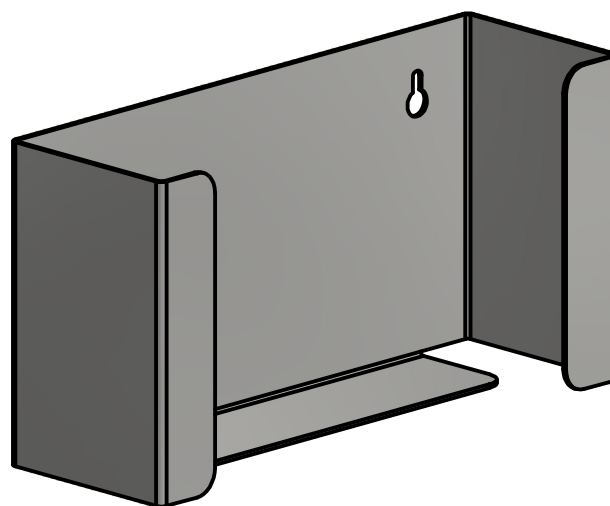
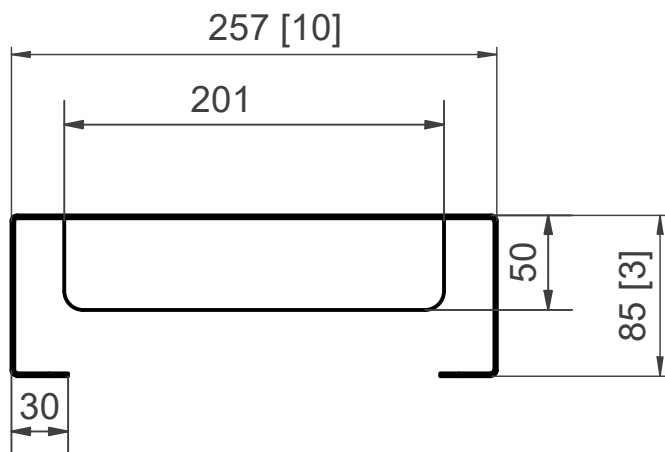
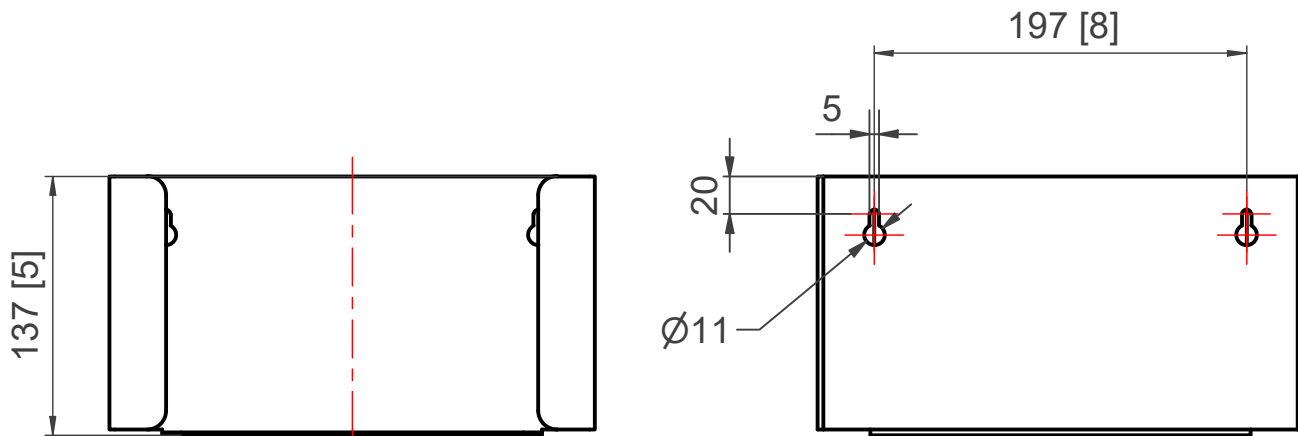


Fabrication materials: Stainless Steel 304L with electro-polished finish



Estimation total weight 0.9 kg	VARIATION IN DIMENSIONS WITHOUT TOLERANCE IND. DIN 7168		 EN HAROD IHUD	EUROPE PROJ	
	BREAK EDGES	STATUS			
ALL RIGHTS STRICTLY RESERVED USE. REPRODUCTION OR ISSUE TO THIRD PARTY IN ANY FORM WHATEVER IS NOT PERMITTED UNLESS AUTHORIZED IN WRITING BY THE PROPRIETOR PalbamClass IL-18960 EN-HAROD IHUD-ISRAEL.	0.3x45		Glove Box Holder		
	INNER RADIUS	SURF. ROUGH. PER ISO 1302	DWG. No.	PCGD0011-000	
	DATE	NAME	REV	A	
	DESIG	13/12/2020	Alexey	SCALE	1 : 4
	APPR			SIZE	A4
			SHEET	1 / 1	

CONTROLLED COPIES OF THIS DOCUMENT HAVE A RED ISSUE DATE STAMP, THESE COPIES WILL BE UPDATED BY PALBAM CLASS INFORMATION SYSTEM. ANY OTHER COPY IS NOT CONTROLLED AND THEREFORE NOT UPDATED. PLEASE CHECK WITH INFORMATION SYSTEM FOR VALIDITY OF DOCUMENT.