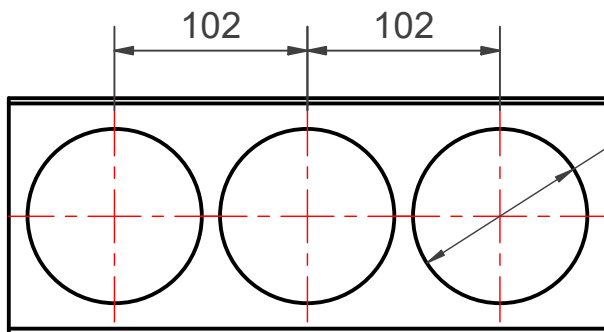
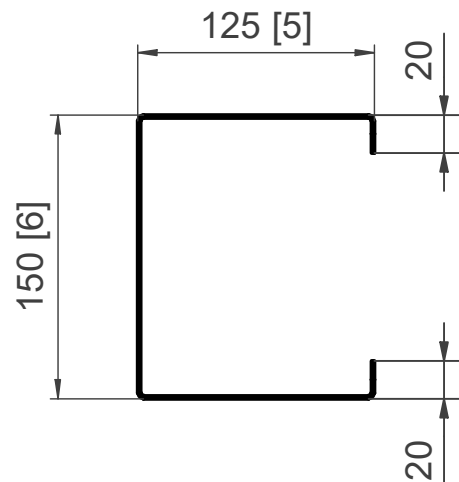
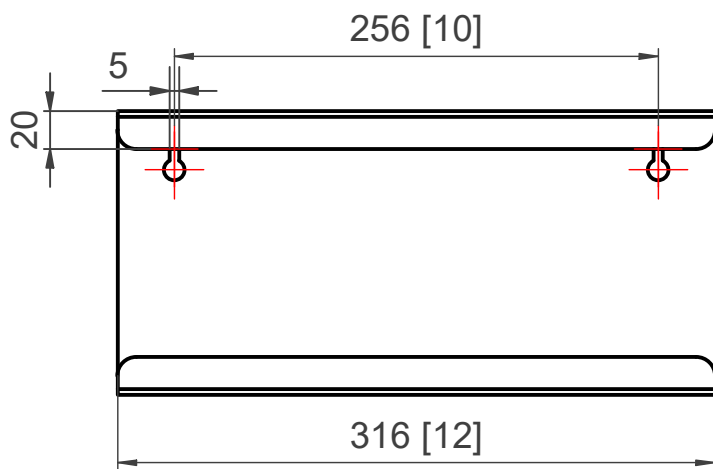
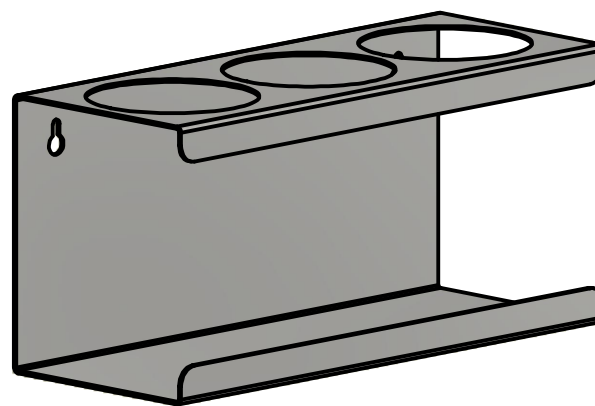


Fabrication materials: Stainless Steel 304L with electro-polished finish



Ø92 [Ø4] TYP3



Estimation total weight 1.4 kg	VARIATION IN DIMENSIONS WITHOUT TOLERANCE IND. DIN 7168		PalbamClass EN HAROD IHUD	EUROPE PROJ	
	MEDIUM				
ALL RIGHTS STRICTLY RESERVED USE. REPRODUCTION OR ISSUE TO THIRD PARTY IN ANY FORM WHATEVER IS NOT PERMITTED UNLESS AUTHORIZED IN WRITING BY THE PROPRIETOR PalbamClass IL-18960 EN-HAROD IHUD-ISRAEL.	BREAK EDGES	STATUS	Bottle Holder		
	0.3x45				
	INNER RADIUS	SURF. ROUGH. PER ISO 1302	REV	A	
	DATE	NAME	SCALE	1 : 4	
	DESIG	13/12/2020	Alexey	SIZE	A4
	APPR			DWG. No.	PCGD0012-000
			SHEET	1 / 1	

CONTROLLED COPIES OF THIS DOCUMENT HAVE A RED ISSUE DATE STAMP, THESE COPIES WILL BE UPDATED BY PALBAM CLASS INFORMATION SYSTEM. ANY OTHER COPY IS NOT CONTROLLED AND THEREFORE NOT UPDATED. PLEASE CHECK WITH INFORMATION SYSTEM FOR VALIDITY OF DOCUMENT.