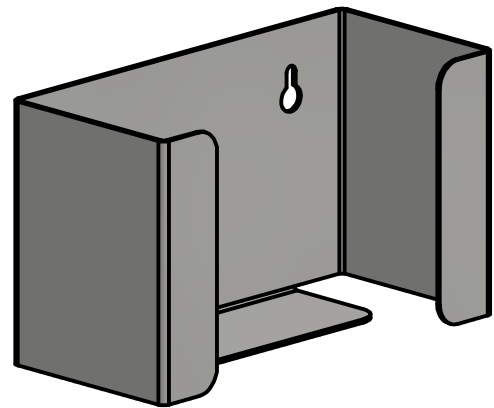
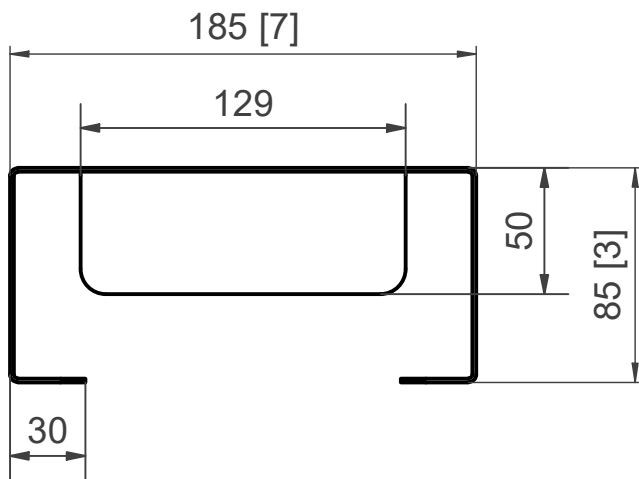
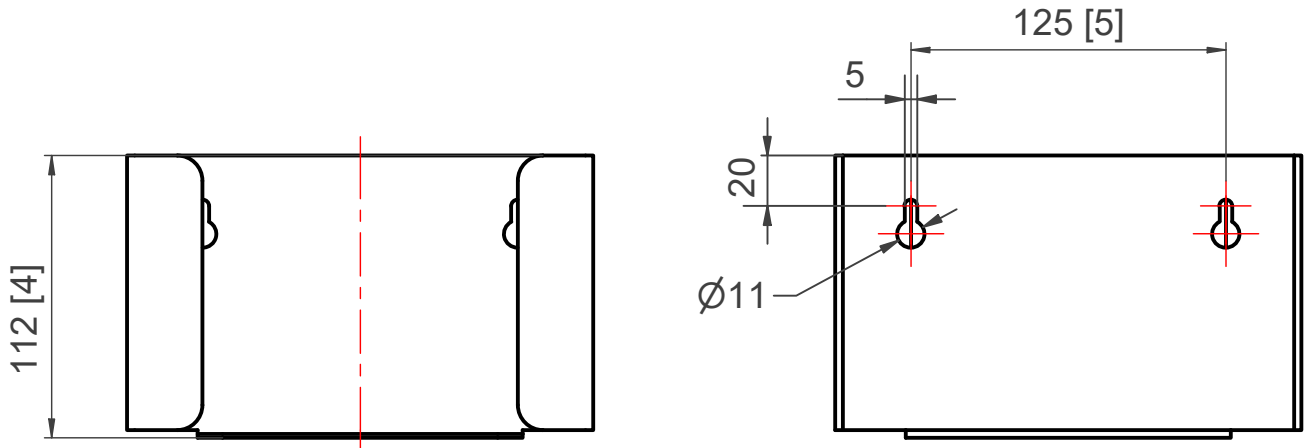


Fabrication materials: Stainless Steel 304L with electro-polished finish



Estimation total weight 0.6 kg	VARIATION IN DIMENSIONS WITHOUT TOLERANCE IND. DIN 7168		PalbamClass EN HAROD IHUD	EUROPE PROJ
	MEDIUM			
ALL RIGHTS STRICTLY RESERVED USE. REPRODUCTION OR ISSUE TO THIRD PARTY IN ANY FORM WHATEVER IS NOT PERMITTED UNLESS AUTHORIZED IN WRITING BY THE PROPRIETOR PalbamClass IL-18960 EN-HAROD IHUD-ISRAEL.	BREAK EDGES	STATUS	Face Mask Holder	REV A
	0.3x45			SCALE 1 : 3
	INNER RADIUS	SURF. ROUGH. PER ISO 1302	DWG. No. PCGD0010-000	SIZE A4
	DATE	NAME		SHEET 1 / 1
	DESIG 13/12/2020	Alexey		
APPR				

CONTROLLED COPIES OF THIS DOCUMENT HAVE A RED ISSUE DATE STAMP, THESE COPIES WILL BE UPDATED BY PALBAM CLASS INFORMATION SYSTEM. ANY OTHER COPY IS NOT CONTROLLED AND THEREFORE NOT UPDATED. PLEASE CHECK WITH INFORMATION SYSTEM FOR VALIDITY OF DOCUMENT.