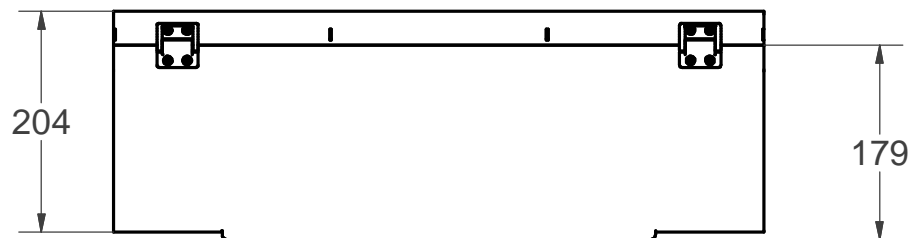
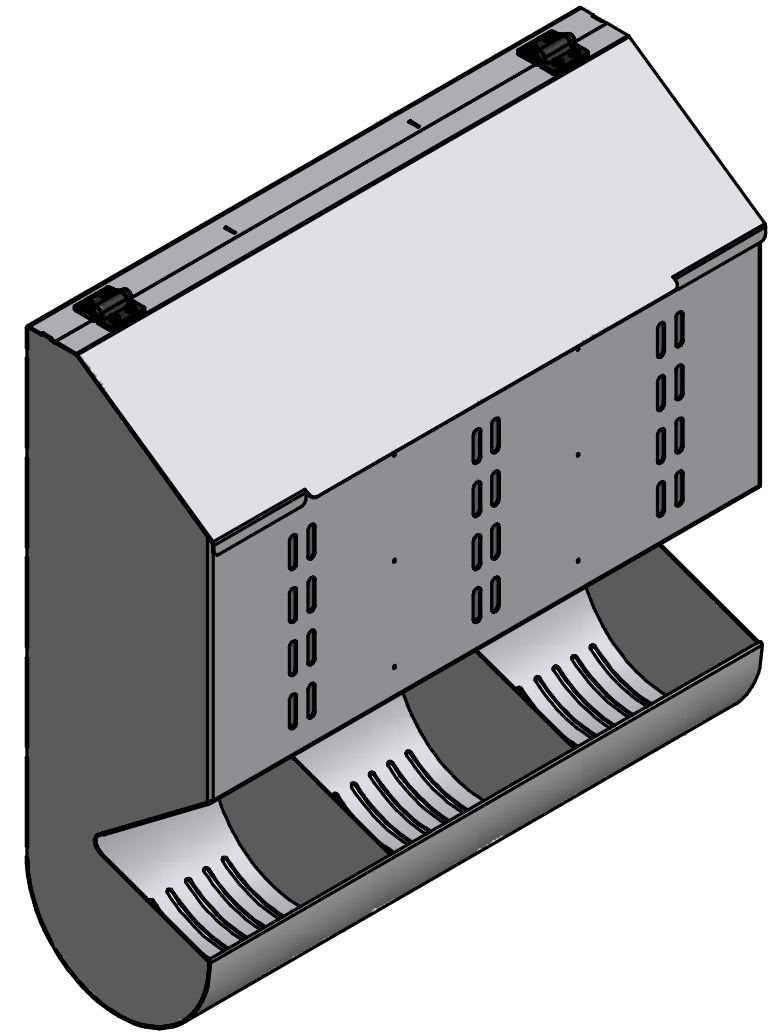
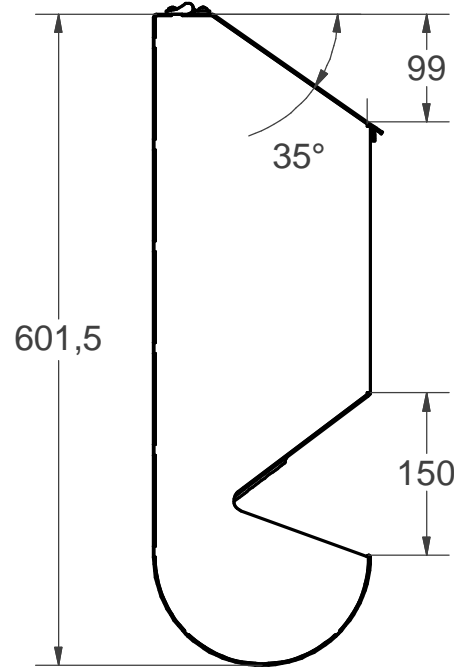
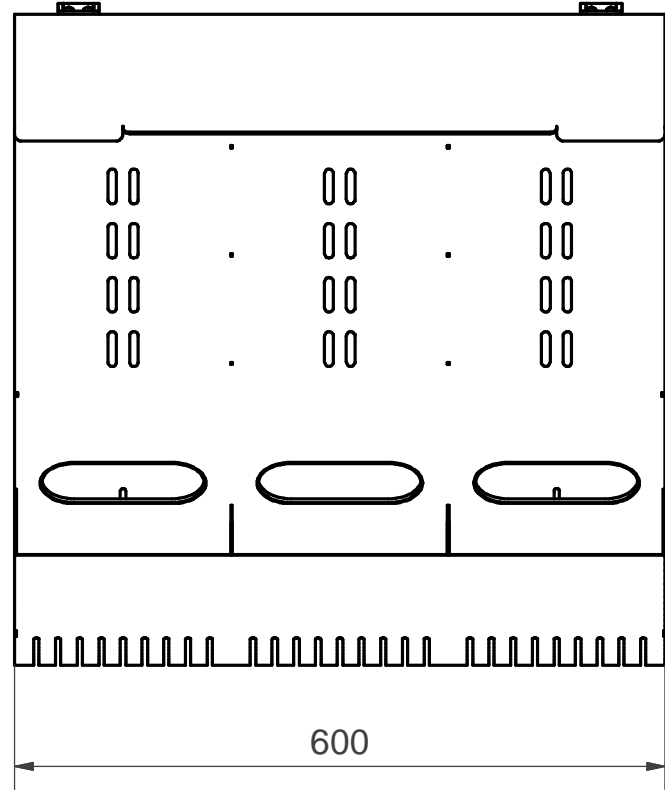


All Palbam Class Dispensers are available with sloping top
 However these are not held in stock, so have a longer lead time than the standard design.



ALL RIGHTS STRICTLY RESERVED USE. REPRODUCTION OR ISSUE TO THIRD PARTY IN ANY FORM WHATEVER IS NOT PERMITTED UNLESS AUTHORIZED IN WRITING BY THE PROPRIETOR PalbamClass IL-18960 EN-HAROD IHUD-ISRAEL.	VARIATION IN DIMENSIONS WITHOUT TOLERANCE IND. DIN 7168		PalbamClass EN HAROD IHUD	EUROPE PROJ 	
	BREAK EDGES 0.3x45				STATUS MEDIUM
	INNER RADIUS		SURF. ROUGH. PER ISO 1302	Dispenser 3 comp. CATALOG # GD-6060-S	
	DESG 26/07/07	DATE 26/07/07	NAME Alexey	DWG. No. PCGD0603-000	REV SCALE SIZE A3 SHEET 1 / 1

CONTROLLED COPIES OF THIS DOCUMENT HAVE A RED ISSUE DATE STAMP, THESE COPIES WILL BE UPDATED BY RICOR INFORMATION SYSTEM. ANY OTHER COPY IS NOT CONTROLLED AND THEREFORE NOT UPDATED. PLEASE CHECK WITH INFORMATION SYSTEM FOR VALIDITY OF DOCUMENT.