

SWING OVER BENCH



The Swing Over bench is designed to assist in the Gowning Process. The raised platform assists in putting on Booties/Shoe Covers. The bench can also be used as a separation barrier between pre gowning and gowning areas. The optional connection pieces allow the benches to be joined together. Immediate delivery - in stock
Fabrication material: 304 stainless steel, electropolished.



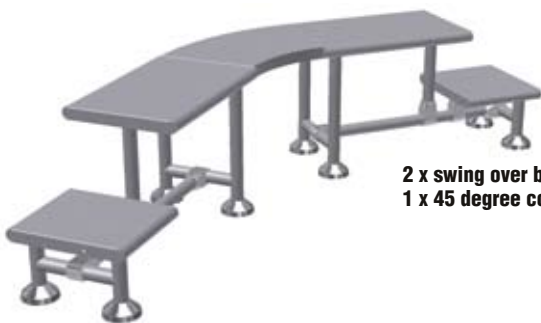
Corner connections

**Having difficulty putting on your shoe covers?
The Swing Over Bench Eliminates back bending!**

Product	LxWxH (mm)	LxWxH (")	Cat. No.
Swing Over Bench	850X350X450	34x14x18	SGB-0850
Bench Corner Connector 45°			45CORNER
Bench Corner Connector 90°			90CORNER
Bench Straight Connector 180°			180CORNER



**2 x swing over bench with
1 x 90 degree connector**



**2 x swing over bench with
1 x 45 degree connector**



**2 x swing over bench with
1 x 180 degree connector**