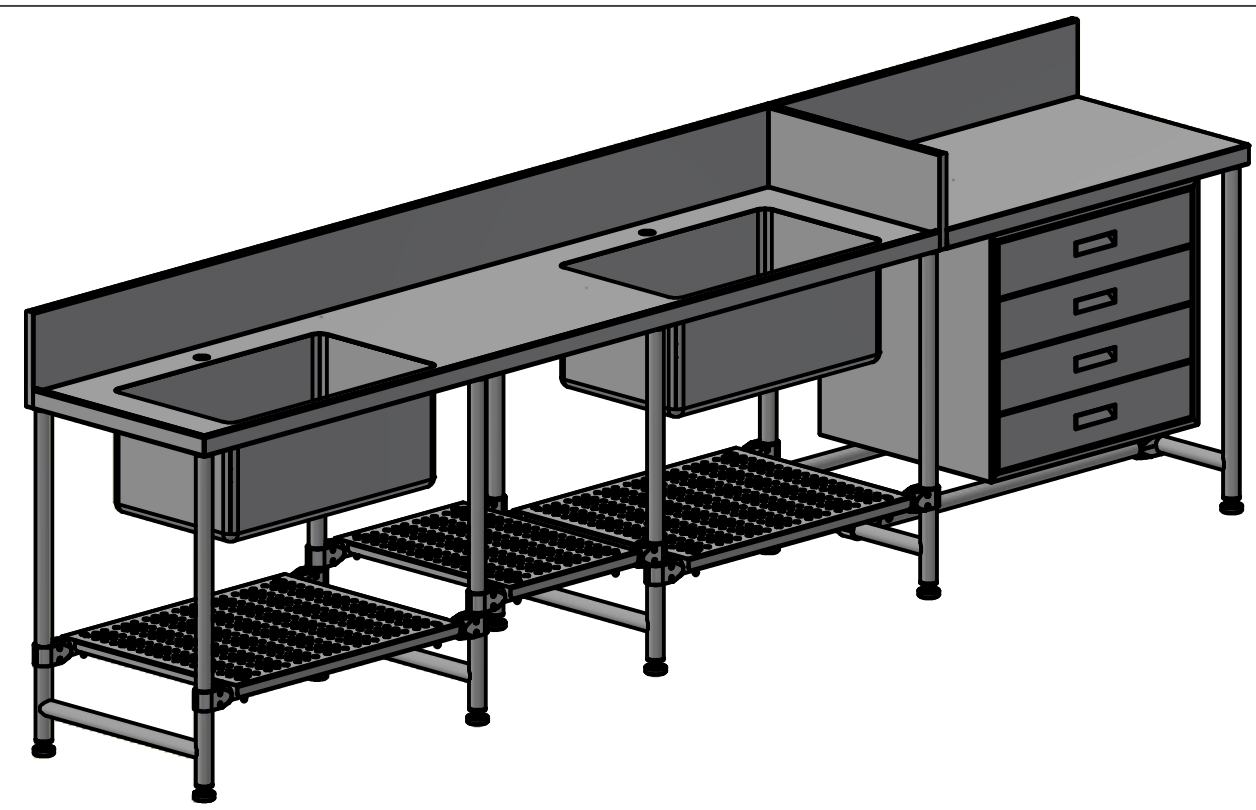
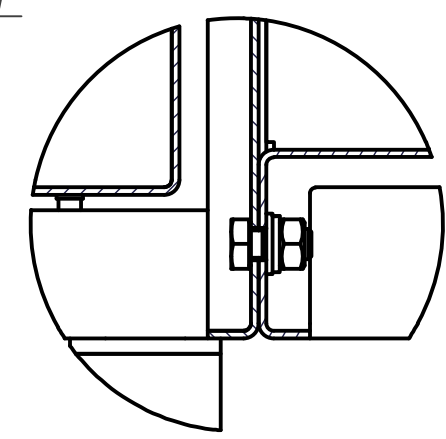
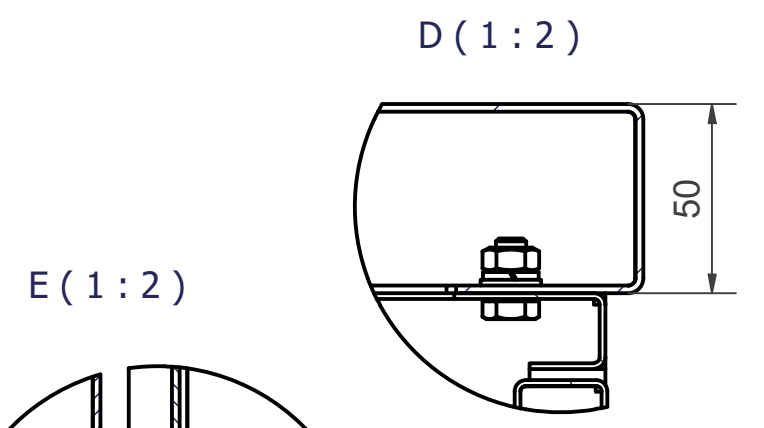
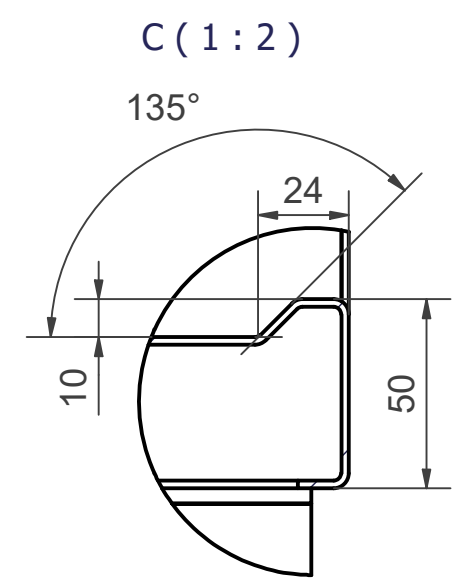
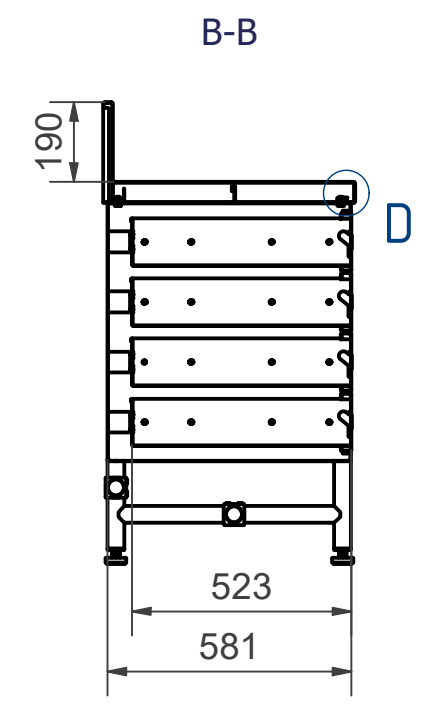
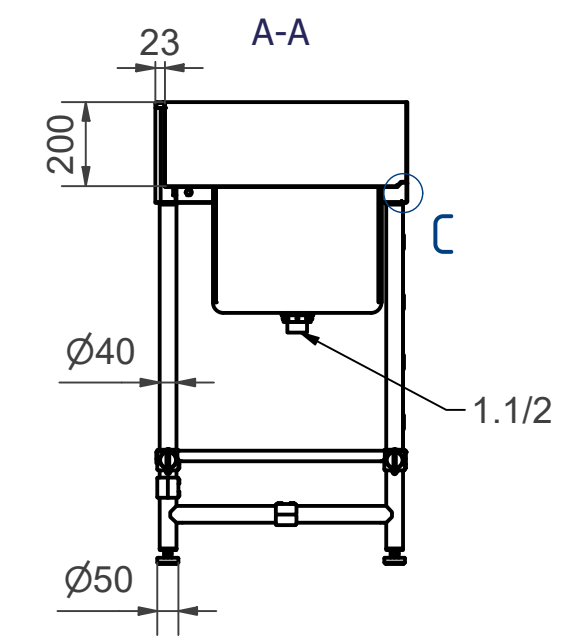
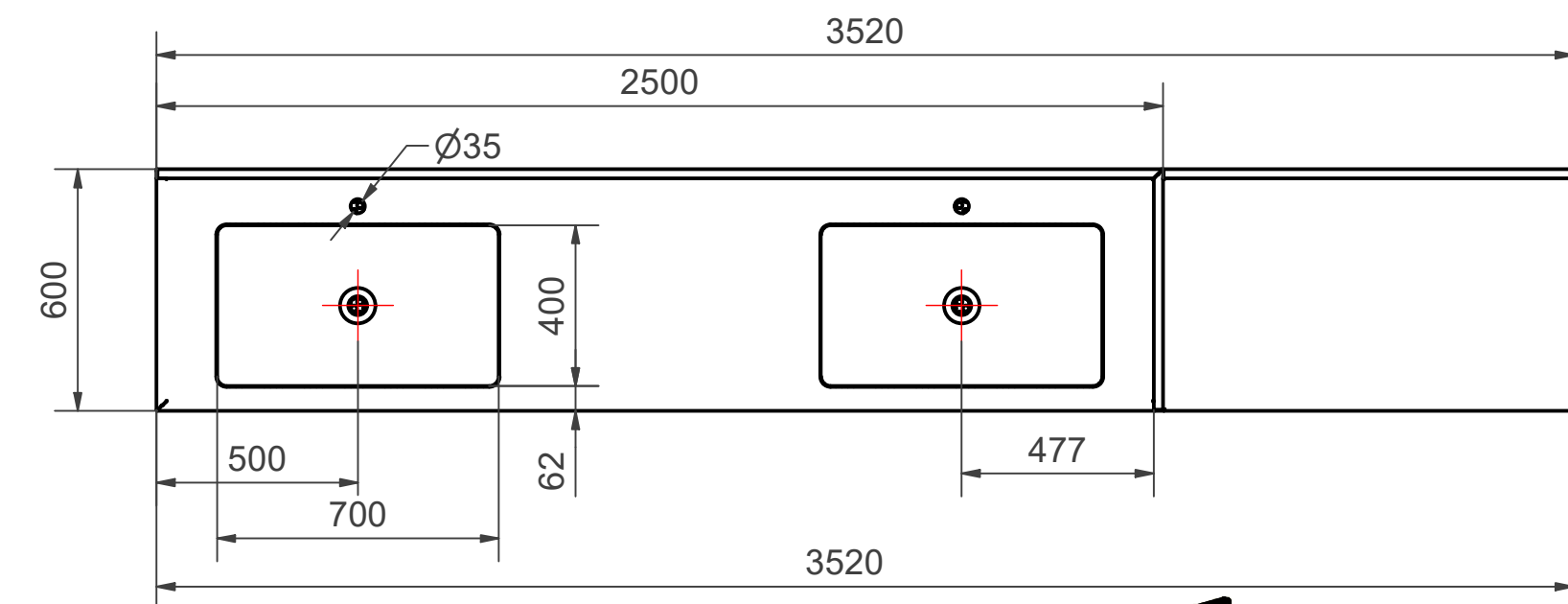
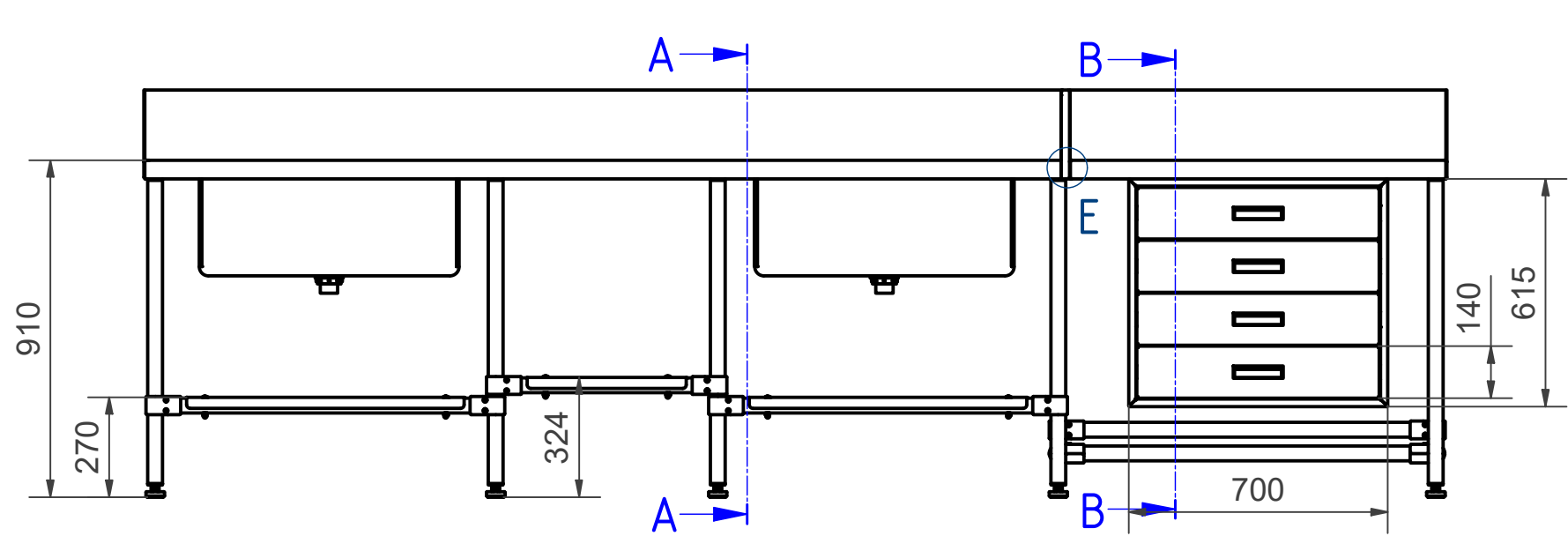


Fabrication materials: Stainless Steel 304L with electro-polished finish & Aluminium anodized connectors



Estimation total weight 182 kg	VARIATION IN DIMENSIONS WITHOUT TOLERANCE IND. DIN 7168		PalbamClass EN HAROD IHUD	EUROPE PROJ ⊲ ⊕	
	BREAK EDGES 0.3x45	STATUS MEDIUM			
ALL RIGHTS STRICTLY RESERVED USE, REPRODUCTION OR ISSUE TO THIRD PARTY IN ANY FORM WHATEVER IS NOT PERMITTED UNLESS AUTHORIZED IN WRITING BY THE PROPRIETOR PalbamClass IL-18960 EN-HAROD IHUD-ISRAEL.	INNER RADIUS	SURF. ROUGH. PER ISO 1302	Sink Drawer Unit		
	DATE	NAME			
	DESG	20/04/2023	Alexey	DWG. No.	PCWS3501-000
	APPR			REV	A
			SCALE	1:18	
			SIZE	A3	
			SHEET	1 / 1	

CONTROLLED COPIES OF THIS DOCUMENT HAVE A RED ISSUE DATE STAMP, THESE COPIES WILL BE UPDATED BY PALBAM CLASS INFORMATION SYSTEM. ANY OTHER COPY IS NOT CONTROLLED AND THEREFORE NOT UPDATED. PLEASE CHECK WITH INFORMATION SYSTEM FOR VALIDITY OF DOCUMENT.